

Why Nickel Zinc Now?

Invented in 1901

The Quest to Perfect NiZn Stalled
Xellerion Overcame the Barriers
NiZn Batteries Now a Reality



1. Harnessing Many Patented Innovations

The Only Challenger To Lithium Technology in

- Performance
- Environmental Friendliness
- Cost
- Recyclability
- Safety
- Sustainability of Reserves

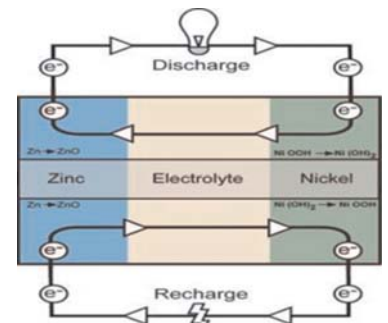
2. We Invented the Membrion™

- Suppresses Dendrite Growth
- Improved Cycle Life
- High Ionic Conductivity ($>100 \text{ mA/cm}^2$)



3. The Power of Zinc

- Novel Formulation
- Higher Energy Density
- Higher Power Density
- Abundant World Reserves
- Easily Recyclable and Reusable



4. Best Choice for PHEV & EV

- No Air or Water Cooling
- Simple Integration
- No Thermal Runaway
- Lowest Cost
- Flexible Designs from 10 Ah 1 – $>100 \text{ Ah}$ Cells

